

Parts for Assembly of the Drive Duet Rollator:

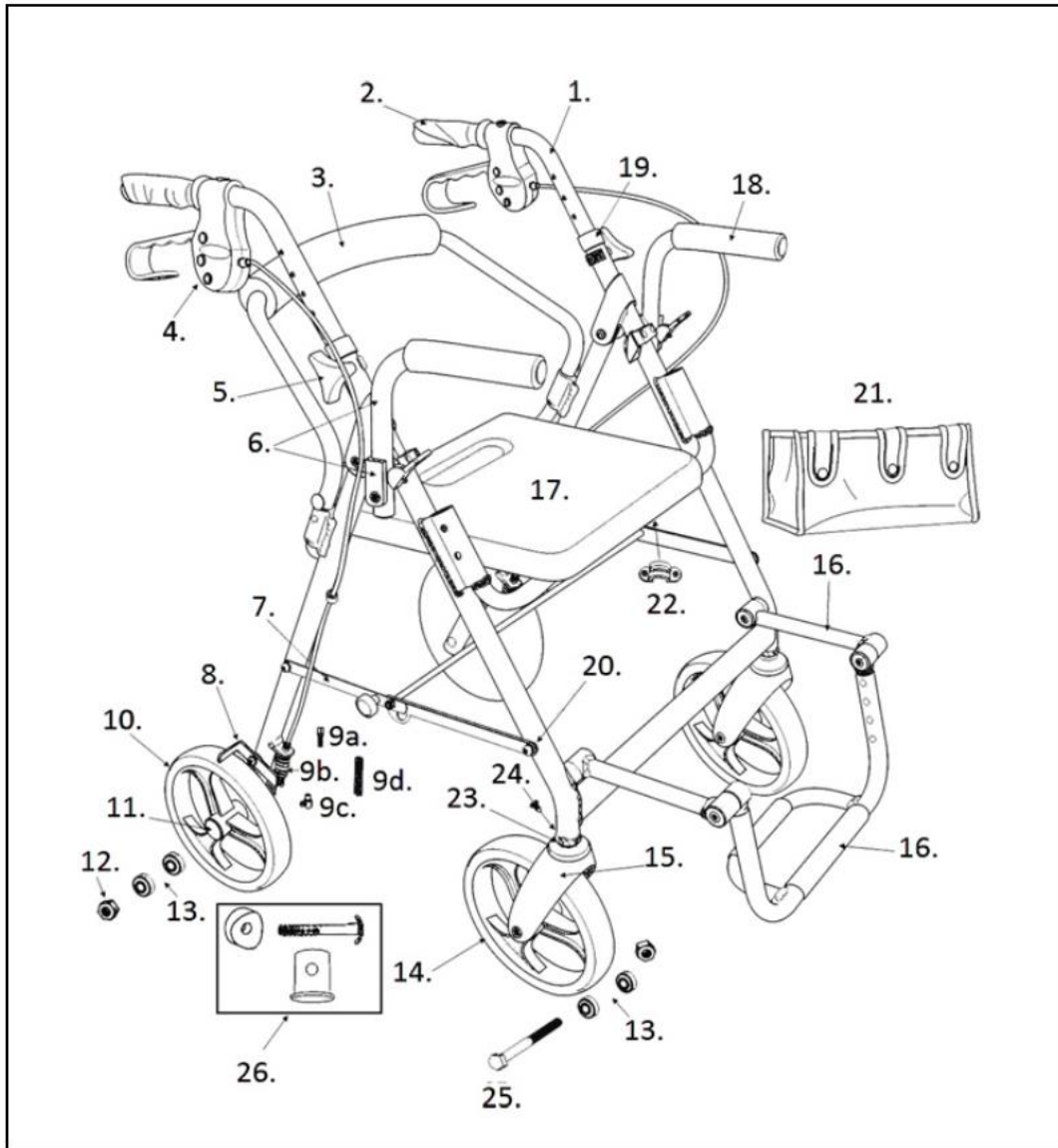


Diagram Number	Part Description	Part Number
1	Handle Bar 1A & 2Y ser# Left	9501A79511
1	Handle Bar 1A & 2Y ser # Right	9501A79512
1	Handlebar 2M ser#	750HBAR-2M
2	Handgrip- Lt.	950340089901
2	Handgrip- Rt.	950340079901
3	Backrest	9501A79501
	Brake Assy. 1A & 2Y ser # left	750BCL
4	Brake Assy. 2M ser # left	750BCL-2M
	Height Adjustment Knob: 1 piece	10208KN
6	Elbow Rest Assembly 1A & 2Y ser # left	9501A7951L
6	Elbow Rest Assembly 1A & 2Y ser # Right	9501A7951R
6	Elbow Rest Assm. 2M ser # Left	9502M7951L
6	Elbow Rest Assm. 2M ser # right	9502M7951R
7	Folding Hinge Assm. Includes rod and both side bars	9501A79502
8	Wheel Brake, Lt.	9501A7502L
8	Wheel Brake, Rt.	9501A7502R
9	a. Cable Adjuster	9500001232
9	b. Spring Boot	9501A7503
9	c. Cable Fastener	9500004101
9	d. Cable Spring	951021820000
11	Rear Axle Cap	9501A75005
12	Rear Axle Nut	9500075009
13	Wheel Bearing	STDS1011
14	Front Wheel	9501A75007
15	Fork 1A @ 2Y ser #	750FORK
15	Fork 2M ser #	750FORK-2M
16	Footrest Assembly 1A & 2Y ser # Red	9501A7953R
16	Footrest Assembly 1A & 2Y ser # blue	9501A7953B
16	Footrest Assembly 1A & 2Y ser # black	9501A7953BK
16	Footrest Assembly 2M ser # Red	9501A7953R-2M
16	Footrest Assembly 2M ser # Blue	9501A7953B-2M
	Seat	795SEAT
18	Elbow Pad	9501A79505
19	Anti-Rattler	950300169901
21	Tote Bag 1A & 2Y ser #	9501A79504
21	Tote Bag 2M ser #	9501A79504-2M
22	Seat Bracket 2M ser#	9501A79513-2M
23	Fork Fastener 1A & 2Y ser # with set screw	9501A79510
23	Fork Fastener 1A & 2Y ser # with roll pin	9501A79510-RP
23	Fork Fastener 2M ser #	9501A79510-2M