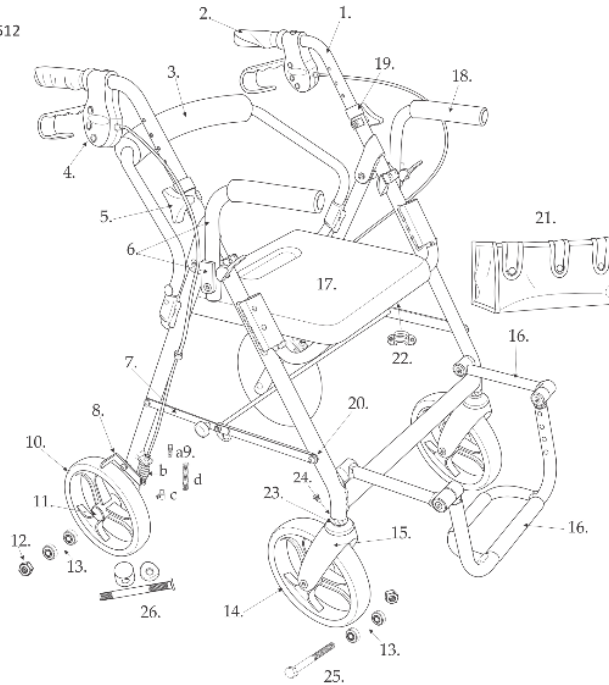


Parts diagram for the Drive Medical Rollator: Drive Duet Transport Chair Rollator



1. Handle bar 1A & 2Y serial # Left- 9501A79511, Rt. 9501A79512
2M serial #- 750HBAR-2M
2. Handgrip- Rt. 950340079901
Lt. 950340089901
3. Backrest- 9501A79501
4. Handbrake 1A & 2Y serial #- 750BRAKE
2M serial #- 750BRAKE-2M
Brake Assy. (Handle Bar, Grip & Brake)
1A & 2Y serial # Lt.- 750BCL, Rt.-750BCR
2M serial# Lt.- 750BCL-2M, Rt.-750BCR-2M
5. Height Adj. Knob- 10208KN
6. Elbow Rest Assy.. 2M serial #- 9502M7951R (Right)
- 9502M7951L (Left)
1A & 2Y serial #- 9501A7951R (Right)
- 9501A7951L (Left)
7. Folding Hinge Assy.- 9501A79502
8. Wheel Brake Rt. - 9501A7502R, Lt.- 9501A7502L
9. a. Adjuster- 9500001232
b. Spring Boot- 9501A75003
c. Cable Fastener- 9500004101
d. Cable Spring- 951021820000
10. 3 Hole Rear- 9501A75008
11. Rear Axle Cap- 9501A75005
12. Axle Nut- 9500075009
13. Axle Bearing- STDS1011
14. 3 Hole Front- 9501A75007
15. Front Fork- 1A & 2Y serial #- 750FORK
2M serial #- 750FORK-2M
16. Footrest Assy.. 1A & 2Y serial #- 9501A7953R (Red)
9501A7953B (Blue) 9501A7953BK (Blk.)
2M serial #-9501A7953R-2M (Red)
9501A7953B-2M (Blue) 9501A7953BK-2M (Blk.)
17. Seat- 795SEAT
18. Elbow Pad- 9501A79505
19. Anti-rattler- 950300169901
20. Folding Hinge Bolt- 9500075005
21. Tote- 1A & 2Y serial #- 9501A79504
2M serial #-9501A79504-2M
22. Seat Bracket- 1A & 2Y serial #- 9501A75013
2M serial #- 9502M75013
23. Fork Fastener (Set Screw type)- 1A & 2Y serial #- 9501A79510
2M serial #- 9501A79510-2M
Roll Pin Fork- 9501A79510-RP



24. Set Screw- 9501A79503
25. Front Axle Bolt- 9500075010
26. Rear Axle Assm.- 1A & 2Y serial #- 9501A79506
2M serial #- 9501A79506-2M

02/29/16

Parts diagram for the Drive Medical Rollator: Drive Duet Transport Chair Rollator